



Step inside a Stiltz HomeLift

A stylish and practical alternative to using the stairs

www.stiltzlifts.com

StiltzTM
The home lift company



*The Stiltz HomeLift has changed our lives -
I wish we had it years ago.*

Mrs. Ojeda, Florida

The Stiltz HomeLift range. Specially designed to fit easily into your home.

Already popular around the world with many thousands of satisfied customers, the Stiltz HomeLift was the first of its kind in the world.

Designed to make your life easier, a Stiltz HomeLift allows you to travel safely and effortlessly between floors and its unique rail and drive system allows you to fit the lift almost anywhere in the home.

Taking up little space with its small footprint the Duo range gives you flexibility in where to fit your lift while maximizing your living space. The Trio range gives you the convenience of a larger lift car size if you need it - either now or in the future.

Designed for accessible living, the unique Stiltz HomeLift range allows you to remain living independently in your home. For complete peace of mind a comprehensive warranty is provided with all products in our range.

So, if you're looking for an innovative, attractive and useful long-term accessible living solution, the answer has to be a Stiltz HomeLift.



DuoAlta

A Compact and Luxurious HomeLift

The Stiltz Duo Alta through-floor HomeLift is designed to make it easier for you to move around the house. Whether you're starting to find the stairs a bit much, or are planning ahead by future-proofing, you will find a Duo Alta will fit discreetly into any home.

A Duo Alta is elegantly curved, and with its clear car body it will perfectly compliment your style of décor. It's so versatile that it can be installed in the corner of a room, in a closet or in a stairwell void. Alternatively it can take pride of place in the center of a room or entrance hallway.

And don't worry about running costs. Stiltz HomeLifts use minimal electricity and can even be run off a regular domestic outlet.

Installation is quick and easy. Once the simple construction is complete your lift can be installed in as little as a day. Your Authorized Stiltz Dealer will then guide you through how to use your lift. Of course, any further help or assistance you may need is always just a phone call away.



Trio Alta

The Spacious Luxury HomeLift

The Stiltz Trio Alta is a larger HomeLift designed to comfortably carry a full-sized wheelchair. The clear body helps it blend into your home and the unique shape means the rails are discreetly recessed behind the slightly wider entrance/exit.





The Stiltz Trio Alta has been designed to offer more space and luxury for homeowners who need a larger lift for their home.

The combination of style and practicality has been perfectly balanced with the Trio Alta. Thanks to its size and weight capacity it can comfortably accommodate a full-sized wheelchair. The gently-angled integral ramp and the wider entrance/exit space helps make access very simple.

Just like the Duo Alta though, the Trio Alta HomeLift will install quickly without any need for load-bearing walls, travel quietly and use minimal power when moving between floors.

Other Stiltz products

The entire range of Stiltz HomeLifts works on the principle that the lift car travels on two self-supporting rails which require no load-bearing walls. In most instances, a simple ceiling aperture is all the construction that is needed. The rails require minimal fixing points but are designed to offer all the strength and safety needed.



The Classic

The ever-popular Classic is our entry-level HomeLift. The original solid-sided model is available as a Duo and the larger Trio lift.

It's a dependable, proven and attractive HomeLift with a high quality specification and numerous additional options available.



The Vista

The contemporary Vista is also available in two sizes; Duo and Trio. The Duo Vista has a clear lift car body to help it blend into whichever room it is installed in and to allow natural light to flood into, and through, the lift car. The Trio Vista has a clear back panel; ideal if the lift is placed in front of a window.



The Thru-Car

The Stiltz Thru-Car does exactly what it says it does – you can enter or exit from both sides of the lift car. This model is ideal for installation up to balconies or landings and also where three stops are needed in a bi-level home.

No other HomeLift on the market is capable of utilizing this Thru-Car configuration – it is unique to Stiltz, thanks to our dual rail technology.

Why Choose a Stiltz HomeLift?



Maximize your living space

Move your lift to another floor and with only two slim rails remaining, you'll hardly know it is there.



Small footprints

Both the Duo and the Trio models have extremely compact footprints, despite the fact that the Trio Alta will accommodate a full-sized wheelchair.



Elegant interior lighting

Subtle and attractive internal lighting means you can travel in safety any time during the day or night.



Packed with safety features

Multiple sensors are fitted to every Stiltz HomeLift to ensure that everyone remains safe – both inside and outside the lift.



In-car control panel

The in-car control panel is designed to be extremely easy to use with push-button, hold-to-run controls.



Remote control

Your HomeLift comes with two remote control handsets included. Additional handsets can be purchased if required.

Stiltz HomeLifts Features & Benefits



Small Footprint

The Duo Alta footprint is a remarkably small 8.5sf. The slightly larger Trio Alta footprint will accommodate a full-sized wheelchair, and has a footprint of 15.5sf.



Quiet

Powered by a self-contained, electric drive motor which is completely hidden away in the lift car roofspace. There are no noisy hydraulics with a Stiltz HomeLift.



Fast Installation

Standard installations can take as little as one day once the ceiling aperture has been created by a qualified contractor.



Power Consumption

A Stiltz HomeLift plugs into a single, standard domestic power socket - just like any other appliance. When running, it uses very little power.



Unique Guide System

It's what makes a Stiltz HomeLift so wonderfully versatile; our self-supporting structure of two parallel, vertical rails bear the entire load of the lift. No additional burden is placed on the structure of your home.



Self-Contained Drive System

Our unique, self-contained drive system is cleverly concealed in a single space within the roof area of the lift car. There's no need for a machine room or separate pump.



Wide Entry

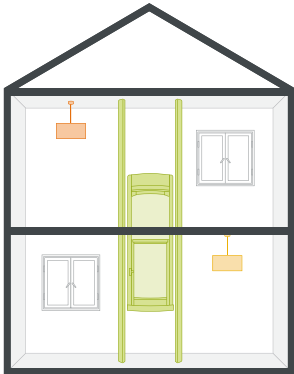
Wheelchair users will find the wide entry and exit points of the Trio Alta particularly useful when manoeuvring their chair in confined spaces.



Easy Access

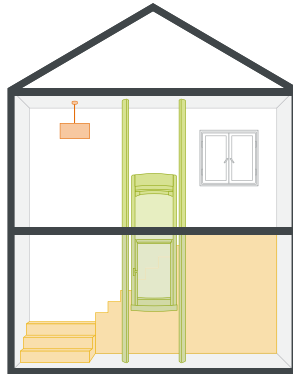
For safety and comfort, the Trio Alta comes with a gently-angled ramp to enable more convenient entry for wheelchair users and those unable to manage steps.

Typical Lift Installation Applications



Standard

This is the most common configuration. The HomeLift will travel between a downstairs room and arrive upstairs, typically in a bedroom.



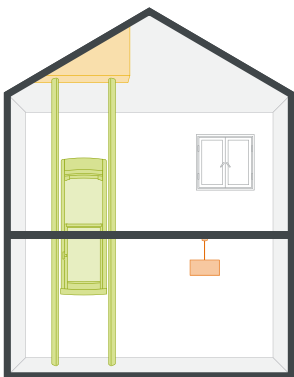
Stairwell void/landing

Where there is enough room in the turn of a staircase this positioning option makes use of the dead space in the void making the HomeLift even more unobtrusive.



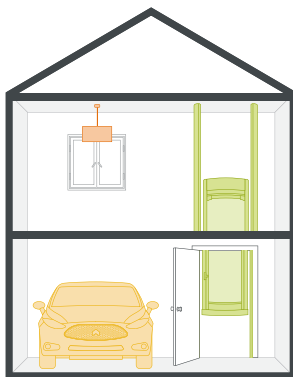
Closet

Thanks to the compact nature of a Stiltz HomeLift you can choose to have your lift completely hidden by installing it inside a closet.



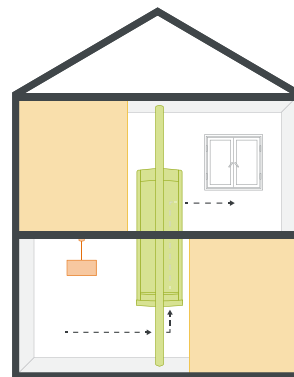
Sloping/vaulted ceilings

Our vertical rails need to fix to a horizontal surface. But don't worry if you have a vaulted ceiling. A contractor can provide clever solutions to overcoming angled or high ceilings.



Garage

A Stiltz HomeLift will allow you quick and safe access from a garage into your home. This application will require the construction of a simple shaft in the garage.

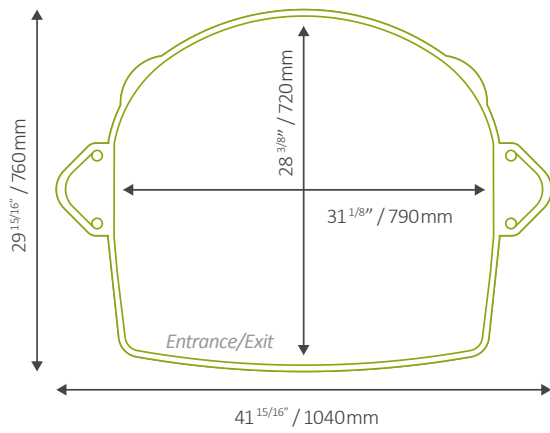


Thru-Car

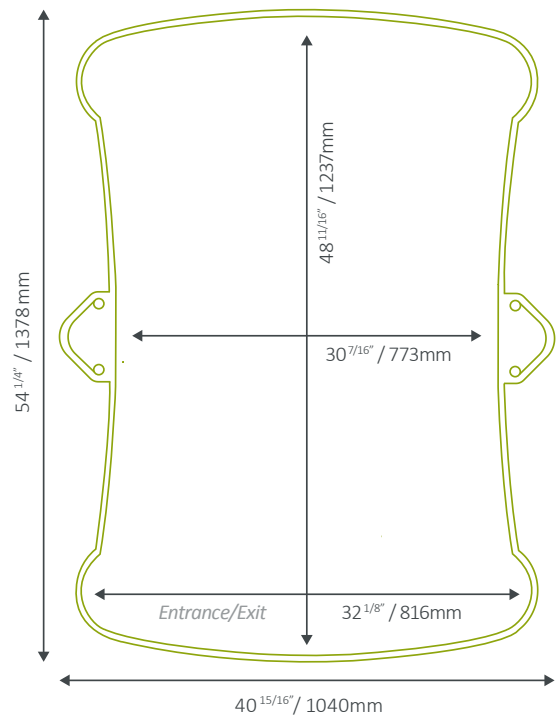
Unique to Stiltz HomeLifts is the Thru-Car concept. Enter and exit through opposite sides of the lift car - ideal for balcony applications or bi-level homes where a 3-stop lift is needed.

Lift Footprints

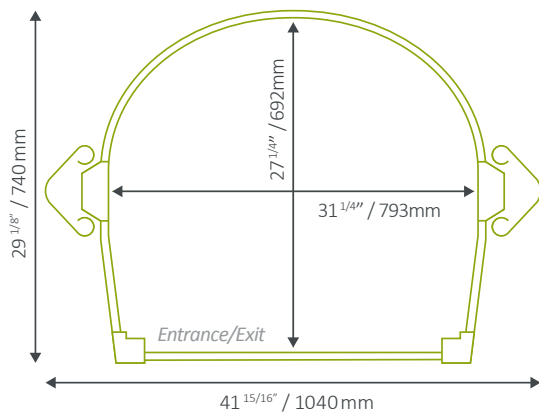
Duo Alta Weight limit 375lb / 170kg



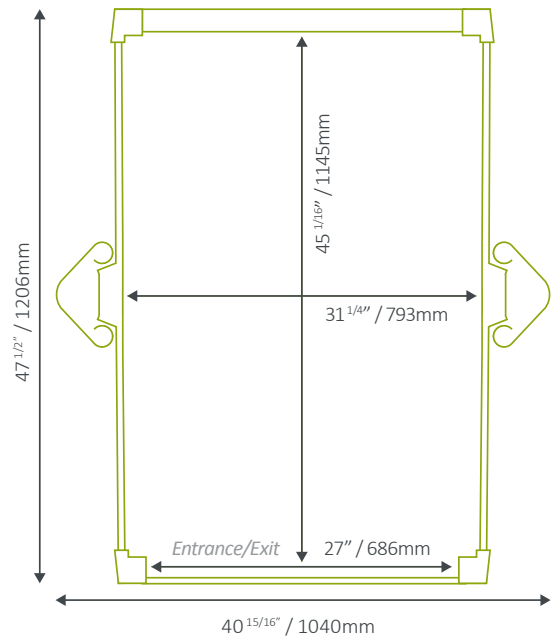
Trio Alta/Alta Thru Weight limit 485lb / 220kg



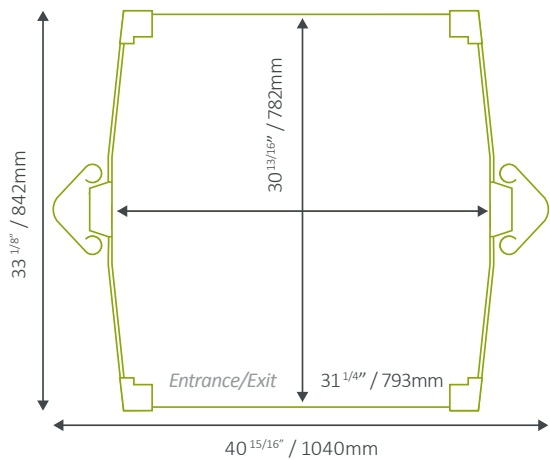
Duo Classic/Vista Weight limit 375lb / 170kg



Trio Classic/Vista/Thru Weight limit 485lb / 220kg



Duo Thru Weight limit 375lb / 170kg



Required upstairs ceiling heights

- Minimum standard upstairs ceiling height for all products other than Trio Alta is 93" / 2360mm.
- Trio Alta requires a standard minimum upstairs ceiling height of 96" / 2438mm.
- All cars can be special ordered with a cab height reduced by 4" / 100mm if required due to lower upstairs ceiling heights.

*Dimensions subject to change.



FAQs

Is a Stiltz HomeLift suitable for wheelchair users?

Yes. The Stiltz Trio Alta HomeLift is ideal for homeowners with mobility issues as it allows them the freedom and independence to move around the home unhindered.

The Trio Alta is our widest and longest model and can accommodate a full-sized wheelchair. It is an ideal alternative to a stairlift and perfect if you have limited mobility.

Can I stay in my home for longer with a Stiltz HomeLift?

Yes. A Stiltz HomeLift is a great help to those with mobility problems, but it is also purchased by those who are able-bodied and looking to future-proof their homes. This means you can have the peace of mind to continue to live a full life in the family home you love for many years to come.

What happens if the power fails and I am in my Stiltz HomeLift?

In case of a power outage to the home all Stiltz HomeLifts are equipped with a battery back-up facility. This is included as standard with the lift and will allow anyone in the lift at the time of power failure to gently descend to the lower level of the home, exit the lift, and wait until the power comes back on.

Does the Stiltz HomeLift have a door?

Stiltz HomeLifts are fitted with a hinged door (doors comes in both half height and full height options) that provides a physical barrier during the operation of the lift. The door locks will release when the lift arrives safely at the floor of choice.

Lifts with half-height doors also come equipped with an infra-red light screen to detect anything crossing over the top of the door - the lift will stop if this happens.

What construction will need to be carried out?

Unlike conventional lifts, all that a Stiltz HomeLift requires for installation is the appropriate aperture to be cut out and trimmed by a qualified contractor. The work itself is minimal and not time consuming. There may be instances where small amounts of additional work need to be carried out such as moving pipes but these will be easily managed by your contractor. The lift can also travel to a landing where a gate can be installed that will only open if the lift is at the landing.

How safe is the Stiltz HomeLift?

The Stiltz HomeLift has safety sensors fitted above and below the lift car which detect obstructions and stop the car. The lift is also fitted with overweight and out of balance sensors as well as a telephone.



The Stiltz team were exceptional...we were very impressed with the installation.

Mr. & Mrs. Lavdar, Pennsylvania

Your approved Stiltz Partner



The Stiltz HomeLift is a perfect concept and requires minimal structural work. It is fast and quiet when in operation. I love its simplicity.

Mr. Krysmanski, Ontario

Committed to providing stylish
and accessible living for all.

Stiltz, Inc.

57 South Commerce Way,
Unit 300,
Bethlehem, PA 18017

Tel: **(844) 4 STILTZ** or **(610) 443-2282**

Email: info@stiltzlifts.com

StiltzTM
The **home lift** company